

INSTALLATION INSTRUCTIONS

ABS DRIP TRAY REPAIR KIT (P/N 569000283)

SAFETY

 **WARNING:**

Before starting installation, read and understand all safety label and warnings on the machine. Also review and understand all safety instructions in the owners, installation and service manuals.

Failure to comply could result in serious injury, death or damage to the equipment.

QUALIFIED SERVICE PERSONNEL

 **WARNING:**

Only trained and certified electrical, plumbing and refrigeration technicians should service this unit.

All wiring and plumbing must conform to national and local codes. Failure to comply could result in serious injury, death or equipment damage.

SAFETY PRECAUTIONS

This unit has been specifically designed to provide protection against personal injury. To ensure continued protection observe the following:

 **WARNING:**

Disconnect power to the unit before servicing. Follow all lock out/tag out procedures established by the user. Verify all power is off to the unit before performing any work.

Failure to comply could result in serious injury, death or damage to the equipment.

 **CAUTION:**

Always be sure to keep area around the unit clean and free of clutter.

Failure to keep this area clean may result in injury or equipment damage.



This is a quick installation guide for the four and five-flavor Vantage Post-Mix Dispensers with integral cold carbonators or the four or five-flavor dispenser requiring connection to remote carbonators.

Table 1: Loose Shipped Parts

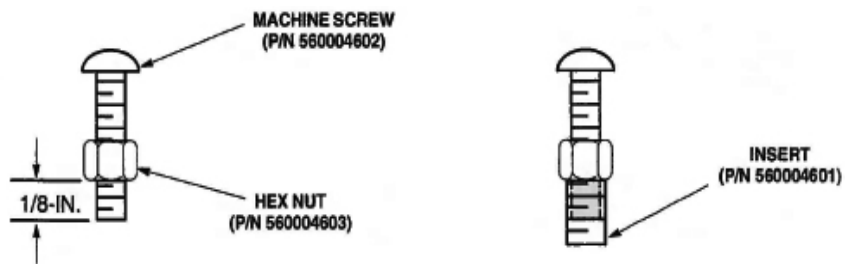
Item No.	Part No.	Name	Qty.
1	560004601	Threaded Insert	4
2	560004602	Machine Screw, Phillips Head	1
3	560004603	Hex Nut	1
4	569000284	Installation Instructions	1
5	000273030	Drill Bit, No. 30	1

NOTE: The MACHINE SCREW (item 2) and HEX NUT (item 3) when assembled are used as a tool to install the four THREADED INSERTS (item 1) in four locations on the ABS drip tray (see Figure 1).

1. Install the Hex Nut (item 3) onto the Machine Screw (item 2), as shown in illustration. Make sure there is a 1/8-inch space between the hex nut and the end of the machine screw.
2. Install THREADED INSERT (item 1) on MACHINE SCREW (item 2) until threaded insert makes contact with the hex nut as shown in Figure 1.
3. Using two pair of long nose pliers, lock threaded insert on the machine screw by tightening hex nut against the threaded insert. Do not overtighten hex nut.

NOTE: There are four holes on the ABS drip tray (see Figure 1) that need to be drilled out to accommodate the four Threaded Inserts (item 1).

4. Using DRILL BIT (item 5), drill out the four indicated holes on the ABS drip tray.
5. Using a small phillips screwdriver, screw threaded insert into one of the drilled out holes until the threaded insert is slightly below the plastic surface.
6. Loosen the hex nut away from the Threaded Insert, then remove the machine screw from the Insert.
7. Repeat steps 1 through 6 to install the remaining three Threaded Inserts into the three drilled out holes in the ABS drip tray.



DETAIL "A"

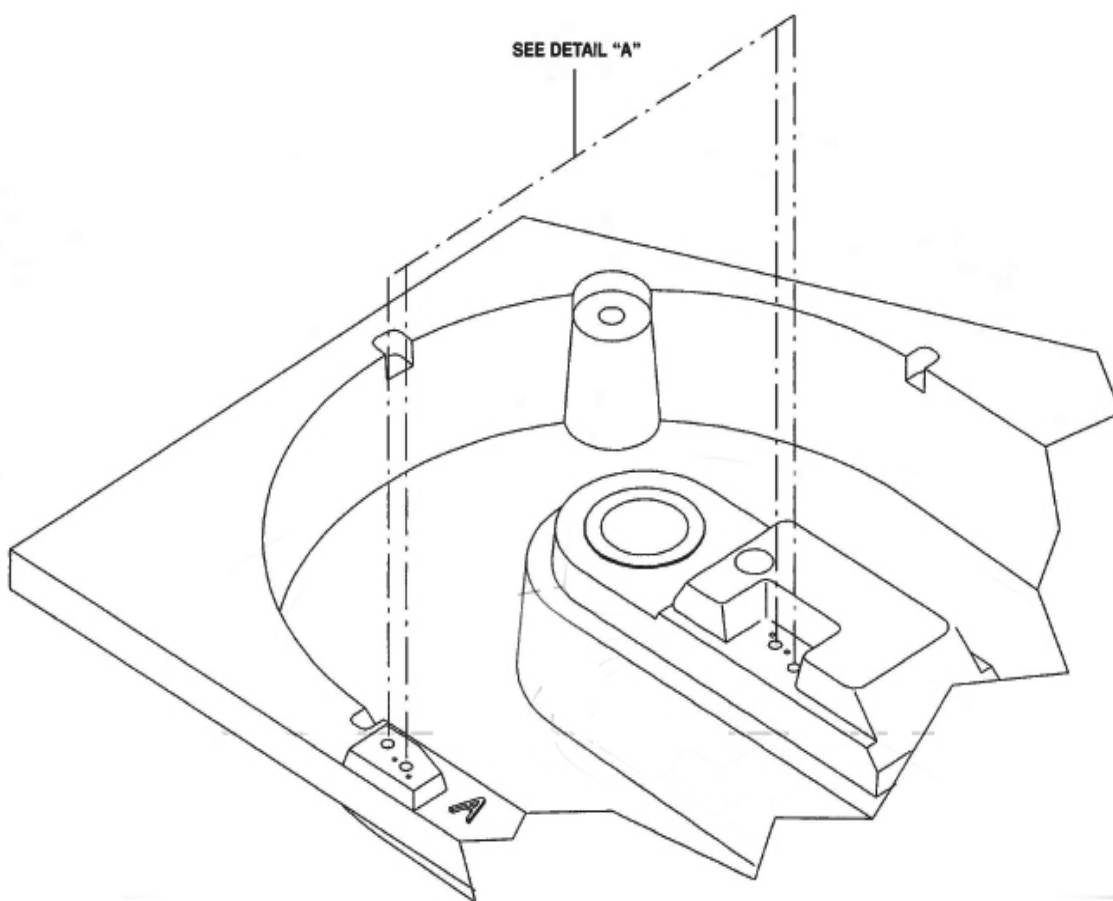


Figure 1.